



Defies damp, cold and hot conditions:
Veosys stainless steel hinge



Technik für Möbel


Hettich

Fast assembly concealed hinge

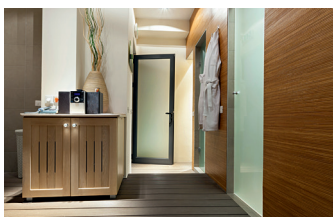
► Veosys stainless steel hinge with integrated Silent System



The corrosion proof all rounder for indoors and outdoors

Its stainless steel finish makes the Veosys hinge from Hettich a robust all rounder. Not affected by temperature fluctuations and moisture, it is suitable for all sorts of applications. Whether outdoors, in spa centres, gyms or laboratories and hospitals – Veosys comes with tested resistance to corrosion. The integrated Silent System is

reliable both at low and high outdoor temperatures. And with its uniquely wide self closing angle of 35°, Veosys closes doors almost by itself.



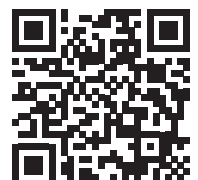
Defies damp, the cold or heat:
The Veosys stainless steel hinge is highly resistant to corrosion.



Benefit from thermal stability:
Whether camping in winter or barbecuing in midsummer – you can always rely on the integrated Silent System.



Install the more efficient way:
No adjustment necessary: doors both large and small always close gently and reliably.



hettich.com/short/885769

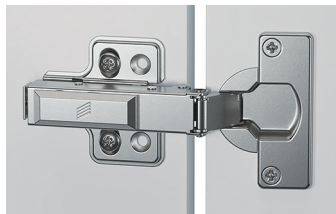
Find out more:
You can get inspiration and further product details on our website.

Fast assembly concealed hinge

- ▶ Veosys stainless steel hinge with integrated Silent System
- ▶ Summary



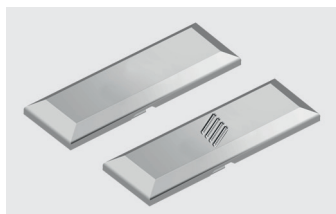
Veosys stainless steel hinge
Opening angle 105°



Veosys stainless steel hinge for thin doors
Opening angle 100°



Mounting plates



Accessories



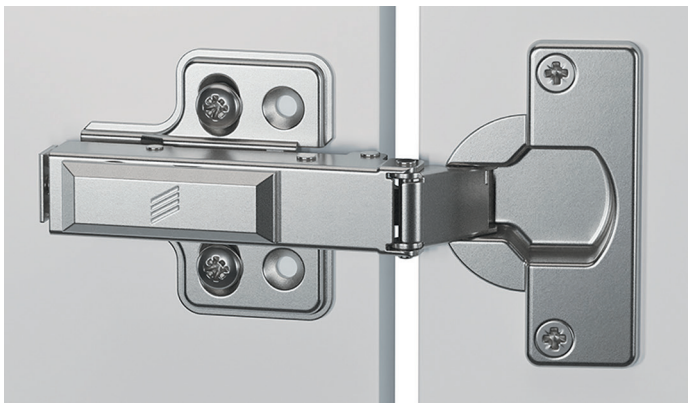
Hettich Technical Assistant

- ▶ Installation
- ▶ Adjusting
- ▶ Service

hettich.com/short/6adea5

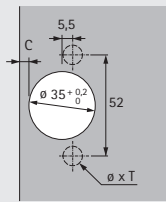
Fast assembly concealed hinge

- ▶ Veosys 105° stainless steel hinge
- ▶ Opening angle 105°, TH-drilling pattern 52 x 5.5 mm

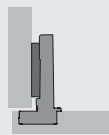


- ▶ Concealed hinge with clip on installation and integrated Silent System
- ▶ Quality classification under EN 15570, Level 2
- ▶ Corrosion proof, 120h NSS (neutral salt spray test) to DIN EN 1670
- ▶ For door thickness of 14 - 22 mm
- ▶ Cup diameter 35 mm
- ▶ Cup depth 11.5 mm
- ▶ Integrated overlay adjustment + 2.5 mm / - 2.5 mm
- ▶ Integrated depth adjustment + 2 mm / - 1.5 mm
- ▶ Height adjustment at mounting plate
- ▶ Stainless steel

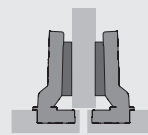
Bohrbild



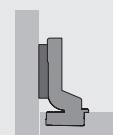
full overlay
(Base B 11.5 mm)



half overlay
(Base B 3 mm)



inset
(Base B -6.5 mm)



With integrated Silent System, with self closing feature

	Mounting hole $\varnothing \times T$ mm	full overlay	half overlay	inset
Cup assembly		200 ea.	200 ea.	200 ea.
For screwing on	-	9 289 590	9 289 592	9 289 595

Fast assembly concealed hinge

- ▶ Veosys 105° stainless steel hinge
- ▶ Opening angle 105°

Minimum reveal per door

Door thickness mm	Cup distance C mm				
	3.0	4.0	5.0	6.0	7.0
14	0.3	0.3	0.2	0.2	0.2
15	0.5	0.5	0.4	0.4	0.4
16	0.7	0.7	0.6	0.6	0.5
17	0.9	0.9	0.9	0.8	0.8
18	1.2	1.1	1.1	1.1	1.0
19	1.5	1.4	1.4	1.3	1.3
20	1.8	1.8	1.7	1.6	1.6
21	2.2	2.1	2.0	2.0	1.9
22	2.6	2.5	2.4	2.4	2.3

Please note:

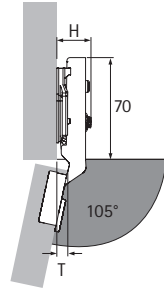
The table entries refer to doors with an edge radius of 1 mm.

On doors with other radii, the minimum reveal changes as follows:

Radius 0 mm:
Values shown in table + 0.4 mm

Radius 3 mm:
Values shown in table - 0.6 mm

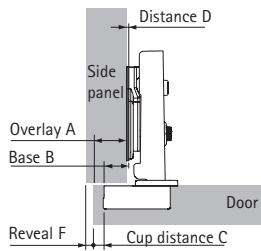
Protrusions / installed depth



Hinge protrusion H / door protrusion T for distance D = 0 mm and cup distance C = 3 mm

Door mounting option	H mm	T mm
full overlay	20.0	7.5
half overlay	30.0	17.0
inset	37.0	24.0

full overlay

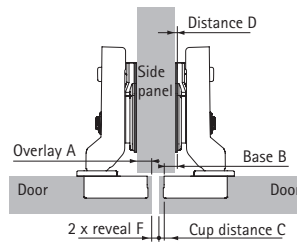


$$\text{Distance D} = \text{C} + \text{B} - \text{A}$$

$$= \text{cup distance C} + 11.5 \text{ mm} - \text{overlay A}$$

Overlay mm	Cup distance C mm				
	3.0	4.0	5.0	6.0	7.0
Distance D mm					
10	4.5	5.5	6.5	7.5	8.5
11	3.5	4.5	5.5	6.5	7.5
12	2.5	3.5	4.5	5.5	6.5
13	1.5	2.5	3.5	4.5	5.5
14	0.5	1.5	2.5	3.5	4.5
15		0.5	1.5	2.5	3.5
16			0.5	1.5	2.5
17				0.5	1.5
18					0.5

half overlay

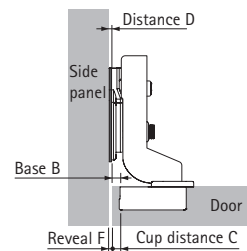


$$\text{Distance D} = \text{C} + \text{B} - \text{A}$$

$$= \text{cup distance C} + 3 \text{ mm} - \text{overlay A}$$

Overlay mm	Cup distance C mm				
	3.0	4.0	5.0	6.0	7.0
Distance D mm					
0.5	5.5	6.5	7.5	8.5	9.5
1.5	4.5	5.5	6.5	7.5	8.5
2.5	3.5	4.5	5.5	6.5	7.5
3.5	2.5	3.5	4.5	5.5	6.5
4.5	1.5	2.5	3.5	4.5	5.5
5.5	0.5	1.5	2.5	3.5	4.5
6.5		0.5	1.5	2.5	3.5
7.5			0.5	1.5	2.5
8.5				0.5	1.5
9.5					0.5

inset



$$\text{Distance D} = \text{C} + \text{B} + \text{F}$$

$$= \text{cup distance C} - 6.5 \text{ mm} + \text{reveal F}$$

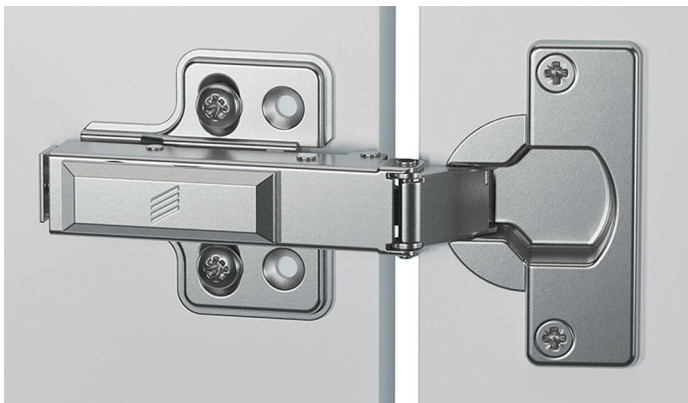
Door thickness mm	Cup distance C mm				
	3.0	4.0	5.0	6.0	7.0
Distance D mm					
14				0.7	
15				0.9	
16			0.1	1.0	
17			0.3	1.3	
18			0.6	1.5	
19			0.8	1.8	
20		0.2	1.1	2.1	
21		0.5	1.5	2.4	
22	0.0	0.9	1.9	2.8	



hettich.com/short/897c49

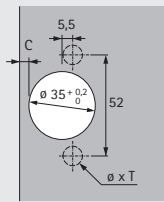
Fast assembly concealed hinge

- ▶ Veosys stainless steel hinge for thin doors
- ▶ Opening angle 100°, TH-drilling pattern 52 x 5.5 mm

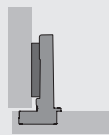


- ▶ Concealed hinge with clip on installation and integrated Silent System
- ▶ Quality classification under EN 15570, Level 2
- ▶ Corrosion proof, 120h NSS (neutral salt spray test) to DIN EN 1670
- ▶ For door thickness of 12 - 22 mm
- ▶ Cup diameter 35 mm
- ▶ Cup depth 10 mm
- ▶ Integrated overlay adjustment + 2.5 mm / - 2.5 mm
- ▶ Integrated depth adjustment + 2 mm / - 1.5 mm
- ▶ Height adjustment at mounting plate
- ▶ Stainless steel

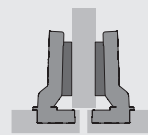
Bohrbild



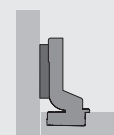
full overlay
(Base B 11.5 mm)



half overlay
(Base B 3 mm)



inset
(Base B -6.5 mm)



With integrated Silent System, with self closing feature

Cup assembly	Mounting hole $\varnothing \times T$ mm	full overlay	half overlay	inset
		200 ea.	200 ea.	200 ea.
for screwing on	-	9 325 749	9 325 750	9 325 781

Fast assembly concealed hinge

- ▶ Veosys stainless steel hinge for thin doors
- ▶ Opening angle 100°

Minimum reveal per door

Door thickness mm	Cup distance C mm				
	3.0	4.0	5.0	6.0	7.0
12	0.7	0.7	0.6	0.6	0.6
13	0.7	0.7	0.6	0.6	0.6
14	0.7	0.7	0.6	0.6	0.6
15	0.9	0.9	0.8	0.8	0.8
16	1.1	1.1	1.0	1.0	0.9
17	1.3	1.3	1.2	1.2	1.2
18	1.7	1.5	1.5	1.5	1.4
19	1.9	1.8	1.8	1.7	1.7
20	2.2	2.1	2.1	2.0	2.0
21	2.6	2.5	2.4	2.4	2.3
22	3.0	2.9	2.8	2.8	2.7

Please note:

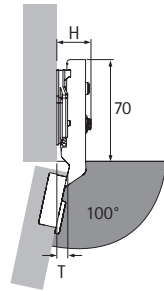
The table entries refer to doors with an edge radius of 1 mm.

On doors with other radii, the minimum reveal changes as follows:

Radius 0 mm:
Values shown in table + 0.4 mm

Radius 3 mm:
Values shown in table - 0.6 mm

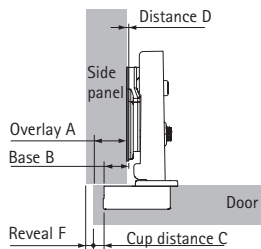
Protrusions / installed depth



Hinge protrusion H / door protrusion T for distance D = 0 mm and cup distance C = 3 mm

Door mounting option	H mm	T mm
full overlay	20.0	7.5
half overlay	30.0	17.0
inset	37.0	24.0

full overlay

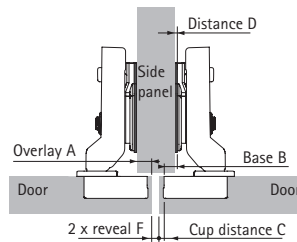


$$\text{Distance D} = \text{C} + \text{B} - \text{A}$$

$$= \text{cup distance C} + 11.5 \text{ mm} - \text{overlay A}$$

Overlay mm	Cup distance C mm				
	3.0	4.0	5.0	6.0	7.0
Distance D mm					
10	4.5	5.5	6.5	7.5	8.5
11	3.5	4.5	5.5	6.5	7.5
12	2.5	3.5	4.5	5.5	6.5
13	1.5	2.5	3.5	4.5	5.5
14	0.5	1.5	2.5	3.5	4.5
15		0.5	1.5	2.5	3.5
16			0.5	1.5	2.5
17				0.5	1.5
18					0.5

half overlay

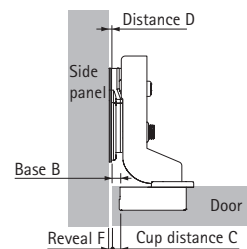


$$\text{Distance D} = \text{C} + \text{B} - \text{A}$$

$$= \text{cup distance C} + 3 \text{ mm} - \text{overlay A}$$

Overlay mm	Cup distance C mm				
	3.0	4.0	5.0	6.0	7.0
Distance D mm					
0.5	5.5	6.5	7.5	8.5	9.5
1.5	4.5	5.5	6.5	7.5	8.5
2.5	3.5	4.5	5.5	6.5	7.5
3.5	2.5	3.5	4.5	5.5	6.5
4.5	1.5	2.5	3.5	4.5	5.5
5.5	0.5	1.5	2.5	3.5	4.5
6.5		0.5	1.5	2.5	3.5
7.5			0.5	1.5	2.5
8.5				0.5	1.5
9.5					0.5

inset



$$\text{Distance D} = \text{C} + \text{B} + \text{F}$$

$$= \text{cup distance C} - 6.5 \text{ mm} + \text{reveal F}$$

Door thickness mm	Cup distance C mm				
	3.0	4.0	5.0	6.0	7.0
Distance D mm					
12			0.1	1.1	
13			0.1	1.1	
14			0.1	1.1	
15			0.3	1.3	
16			0.5	1.4	
17			0.7	1.7	
18			1.0	1.9	
19		0.3	1.2	2.2	
20		0.6	1.5	2.5	
21		0.9	1.9	2.8	
22	0.4	1.3	2.3	3.2	

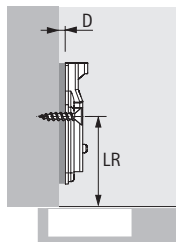


hettich.com/short/897c49

Fast assembly concealed hinge

- ▶ Stainless steel mounting plates with oblong hole height adjustment
- ▶ For Veosys

Cross mounting plate for screwing on



- ▶ For 4 mm \varnothing x 16 mm countersunk screws
- ▶ Quality classification under EN 15570, Level 2
- ▶ Corrosion proof, 120h NSS (neutral salt spray test) to DIN EN ISO 9227
- ▶ Hole spacing 32 mm
- ▶ Oblong hole height adjustment ± 3 mm
- ▶ Stainless steel

Hole line distance LR mm	Order no. / Distance D mm		PU
	0,0	2,0	
37	9 289 598	9 289 609	200 ea.

Fixing screw for Veosys hinge cup



- ▶ 6G x 5/8 stainless steel fixing screw for Veosys hinge cup

Order no.	PU
9 308 933	200 pcs.

Fast assembly concealed hinge

- ▶ Accessories
- ▶ For Veosys

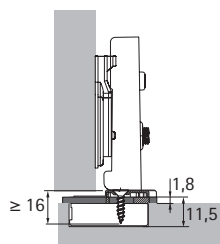
Cover cap for Veosys hinge arm



- ▶ Suitable for use with Veosys
- ▶ stainless steel

Design	Order no.	PU
embossed with Hettich logo	9 289 610	200 ea.
neutral	9 289 611	200 ea.

Adapter for reducing drilling depth



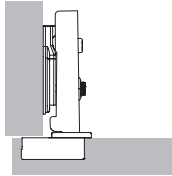
- ▶ To reduce the required depth of the cup drilling in thin or highly softened doors
- ▶ Can be used with hinge cup for screwing on
- ▶ The gap between cabinet body and door increases by the thickness of the adapter
- ▶ Attachment by $\varnothing 4 \times 16$ mm countersunk screws
- ▶ Transparent plastic

Design	Thickness mm	Order no.	PU
for drilling pattern TH	1,8	9 306 263	50 ea.

Technical information

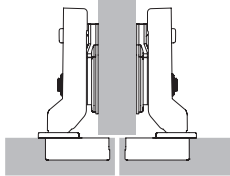
- ▶ Veosys
- ▶ Fitting information

Full overlay door



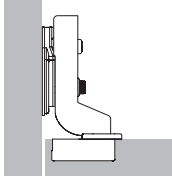
The door is in front of the cabinet side and only a small gap remains at the side within which the door can open reliably. Alternatively, the door can also be fully overlaid. In this case sufficient space must be allowed at the side for the required minimum reveal. Straight hinges are used.

Half overlay door



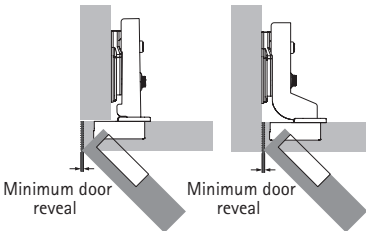
This is where two doors are positioned in front of a cabinet centre panel, with the required overall reveal between them (at least 2 x minimum reveal). In other words, each door has a smaller overlay and cranked hinges are therefore used.

Inset door



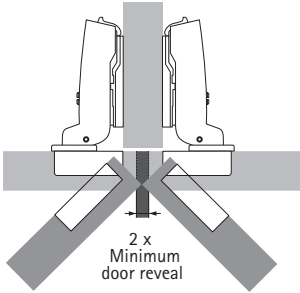
The door is positioned inside the cabinet body, i.e. next to the cabinet body side. Here too, a gap is needed so that the door can open reliably. Highly cranked hinges are used here. For an inset door, the mounting plate must be set back by the thickness of the door + 1 mm as well as by any any chosen door offset.

Minimum reveal



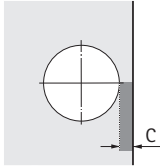
For full overlay and inset doors
The minimum reveal (also known as the door clearance or minimum clearance) is the space required at the side so that the door can open. The size of the minimum reveal depends on the cup distance C, the door thickness and the type of hinge selected. Radii on the door edges reduce the door clearance. The minimum reveal is shown in the table for the respective hinge types.

Minimum reveal



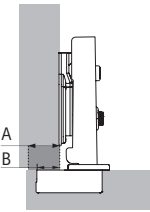
For half overlay doors
The total reveal selected between the doors must be at least twice the door clearance. Both doors can then be opened at the same time.

Cup distance C



Cup distance C is the distance between door edge and the edge of the cup drilling. The greater the distance selected for cup distance C, the smaller door clearance will be, i.e. the minimum reveal required.

Overlay / Base



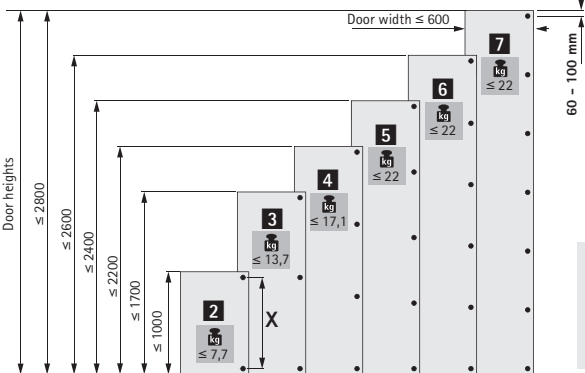
Overlay refers to the projection of the door in front of the cabinet body side. Base refers to the projection of the cup in front of the cabinet body side for a mounting plate distance of 0 mm.

A = Overlay
B = Base

Number of hinges per door

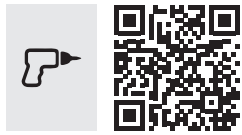
Door width, height and weight as well as the material quality of the door are decisive factors determining the number of hinges required.

The factors encountered in practice differ widely from case to case. For this reason, the number of hinges specified in the diagram must be understood as a guide only. If in doubt, it is recommended to carry out a trial mounting and adjust the number of hinges as necessary. For reasons of stability, space X between the hinges must always be made as large as possible. Distance X must be at least 280 mm.



Door height	Weight (kg)	Number of hinges
≤ 1000	≤ 7,7	2
≤ 1700	≤ 13,7	3
≤ 2200	≤ 22	4
≤ 2400	≤ 22	5
≤ 2600	≤ 22	6
≤ 2800	≤ 22	7

Door width ≤ 600 mm
60 - 100 mm
X



hettich.com/short/c6aabf

Technical information

- ▶ Veosys
- ▶ Fitting information

General calculation of distances

Mounting plates are available in various distances. The effective height of the mounting plate is defined by distance D. Distance D is embossed on the top of each mounting plate. A larger distance D reduces overlay for full and half overlay applications. On inset doors, a larger distance D increases the door reveal. Before determining the required distance,

check whether the desired reveal is equal to or greater than the required minimum reveal. If the desired reveal is less than the required minimum reveal, the required minimum reveal can be reduced by increasing cup distance C or by producing radii on the door edges.

Calculation of distances

For full overlay and half overlay doors

The required distance D can be determined after checking the minimum reveal. Ideally, door overlay and cup distance should be selected to produce distance D that is available as mounting plate.

Example: Working out distances according to the table

Overlay = 14 mm and cup distance C = 4.5 mm yield a distance D equal to 3.0 mm.

Example: Working out distances with calculation formula

Hinge for full overlay, base B = 12.5 mm

Distance D = Cup distance C + base B - overlay A

Distance D = 4.5 mm + 12.5 mm - 14 mm = 3.0 mm

Intermediate distances not available as mounting plate distances are achieved by adjusting the hinge overlay.

Overlay mm	Cup distance C mm					
	3,0	4,0	4,5	5,0	6,0	7,0
	Distance D mm					
10	5,5	6,5	7,0	7,5	8,5	9,5
11	4,5	5,5	6,0	6,5	7,5	8,5
12	3,5	4,5	5,0	5,5	6,5	7,5
13	2,5	3,5	4,0	4,5	5,5	6,5
14	1,5	2,5	3,0	3,5	4,5	5,5
15	0,5	1,5	2,0	2,5	3,5	4,5
16		0,5	1,0	1,5	2,5	3,5
17			0,0	0,5	1,5	2,5
18					0,5	1,5
19						0,5

Calculation of distances

For inset doors

When calculating the mounting plate distance using the table for inset doors, allowance is automatically made for the reveal that is shown as the minimum reveal produced by cup distance C and door thickness in the table of minimum reveals. If a reveal is to be produced that is larger than this minimum reveal, select a mounting plate distance of the appropriate size.

Example: Working out distances according to the table

From the table, a door thickness = 20 mm and cup distance C = 4.5 mm produce a mounting-plate distance of 1.5 mm. This creates the required minimum reveal of 1 mm, for example. If a reveal of 2.5 mm is required instead, the selected mounting-plate distance must be correspondingly 1.5 mm larger. In this example, therefore, a distance of 3 mm instead of 1.5 mm.

Example: Working out distances with calculation formula

Hinge for inset application, base value B = - 4 mm

Distance D = Cup distance C + base B + reveal F

Distance D = 4.5 mm - 4 mm + 1 mm = 1.5 mm

Intermediate distances not available as mounting plate distances are achieved by adjusting the hinge overlay.

Door thickness mm	Cup distance C mm					
	3,0	4,0	4,5	5,0	6,0	7,0
	Distance D mm					
15		0,2	0,7	1,2	2,2	3,2
16		0,3	0,8	1,3	2,3	3,3
17		0,4	0,9	1,4	2,4	3,4
18		0,6	1,1	1,6	2,6	3,5
19		0,8	1,3	1,8	2,7	3,7
20	0,1	1,0	1,5	2,0	3,0	3,9
21	0,4	1,3	1,8	2,3	3,2	4,2
22	1,2	1,8	2,2	2,6	3,6	4,5

Quality criteria

► Concealed hinges

Quality that meets all the demands

Quality that meets all the demands

The quality of hinges is subject to a process of continuous monitoring. Hettich fittings comply with the national and international quality standards of the markets our customers operate in. The diagrams below show examples of the principles behind some of the testing processes.

Application

Hettich hinges can be used in living room, kitchen, bathroom and office furniture.

Load capacity

The quality levels indicated on products comply with the requirements of EN 15570 and satisfy the overload tests at the specified level. We will be pleased to provide any further information you may require.

Corrosion test

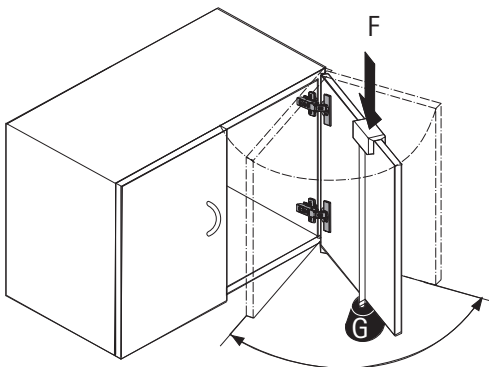
Hettich Veosys hinges satisfy the corrosion requirements under DIN EN ISO 9227-2012 in accordance with the 120 h neutral salt spray test (NSS) as well as DIN EN ISO 6270-2-2012 in accordance with the 120 h alternating condensation water climate test with alternating air humidity and temperature (AHT).

Quality assurance

The processes for assuring the quality of Hettich hinges are certified under EN ISO 9001, Cert. No. DE8000209.

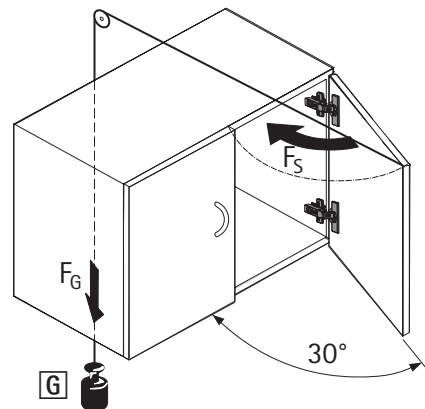
Endurance test

The door is subjected to a specific number of opening and closing cycles.



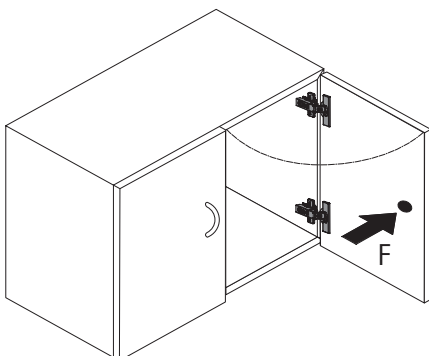
Closing test

The door is opened by 30° and pushed closed from this position by means of a pulley and falling weight.



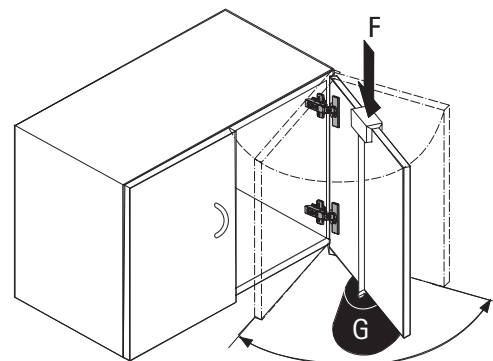
Horizontal test

The door is over opened with a defined test force F. (This test only applies to hinges with an opening angle < 135°.)



Vertical test

The door is subjected to a specific number of opening and closing cycles under a defined additional load G.



Technik für Möbel

